

TRUCK-MOUNTED CONCRETE PUMP
S 31 XT



SCHWING TRUCK-MOUNTED CONCRETE PUMP S 31 XT

THE TECHNICAL HIGHLIGHT IN THE MEDIUM LENGTH BOOM CLASS

With its patented concrete distribution system, SCHWING's all-purpose performer opens up a whole new world of concreting – and not only when working indoors or in tunnels. This machine is equipped with a placing boom with sophisticated RZ kinematics that can telescope by 4.60 m during concreting. This increases the working area by almost 50 % and the working bubble by an impressive 73 %.

In spite of its compact unfolding height of less than 5.70 m, which makes it ideal for indoor job sites, this capability gives the S 31 XT the reach and height range of a 31 m class machine.

The slewing range of 550° means that the operator can slew the boom into any working position from the transport position with out traversing into a prohibited range.

And this system also showcases its advantages where machines with much longer reach are often sharply restricted because the floor edge is just above the B-joint, which sharply constrains the horizontal working range of their placing booms. And, as the base joint has a lifting angle of 104°, the S 31 XT can set up around 2 m closer to the building than conventional machines in its class.

Once the boom has been moved to its starting position, all the operator needs to use is the telescope function. In this way, the operator can concrete a strip 4.60 m wide without folding the boom. The end hose automatically maintains its set distance from the floor slab, and the steering movements of the boom are reduced to an absolute minimum, minimizing wear on the hydraulic system. This means less stress and safer working conditions for the operator.



While 5-section booms in this class demand absolute concentration from their operators to avoid collision of the individual boom sections, the S 31 XT provides steering functions typical of truck-mounted concrete pumps with four-section booms.

The front X-outriggers/rear H-outriggers together with the torsion-resistant frame also ensure a stable setup on a minimum footprint and a clean, accessible vehicle layout with lots of space for accessories.

In addition to being able to carry 40 m of extra hose, this machine can also be equipped with removable hose boxes, so that it can be used as a fully functional refurbishment pump.

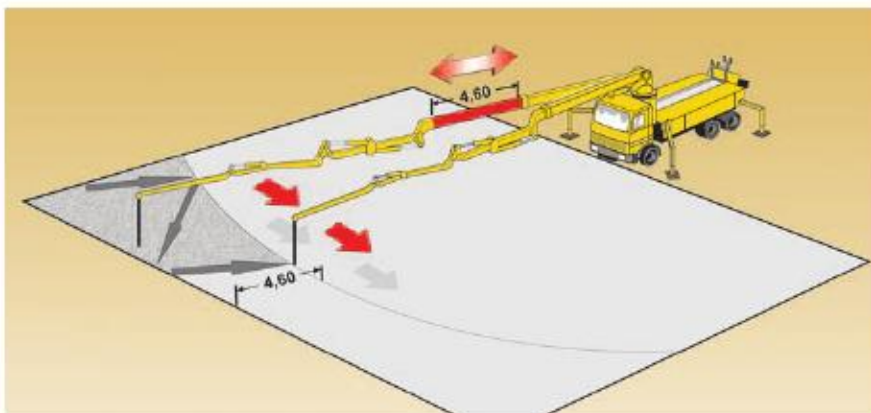
The special quick-mount system means that the boxes can be mounted and dismounted using a forklift, a crane or the pump's own boom.

In this configuration, the "jumbo version" can handle 18 five-meter DN 65 hose segments. The box geometry conforms to the boxes of other SCHWING truck-mounted concrete pumps such as the Vario, S 20, S 24 X and S 28 X; this means that you can swap boxes between machines to respond to customer requirements with maximum flexibility.

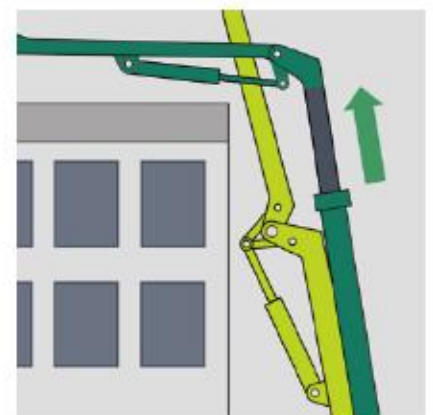
As standard, the S 31 XT is equipped with pump kits with a stroke of 2 m. And like all SCHWING truck-mounted concrete pumps, the S 31 XT is equipped with the Rock Valve. This unique system ensures excellent suction and pumping performance, high economy, low wear and exceptional dependability.

An outlet that turns is available as an option.

This unit is available with an optional compressor, which naturally can be radio remote-controlled; if desired, air/water lines can also be laid to the tip of the boom.



Extending the telescope increases the working surface area by 50%, the working bubble by 73%. The telescope makes it possible to pour a 4,60m wide section without movement of the boom joints.



The boom can grow with the site and can thus use the horizontal working range most effectively without losing reach.



The RZ boom can be telescoped by 4,60m during a pour without increasing the resistance of the concrete flow in the pipe line.

TECHNICAL DATA

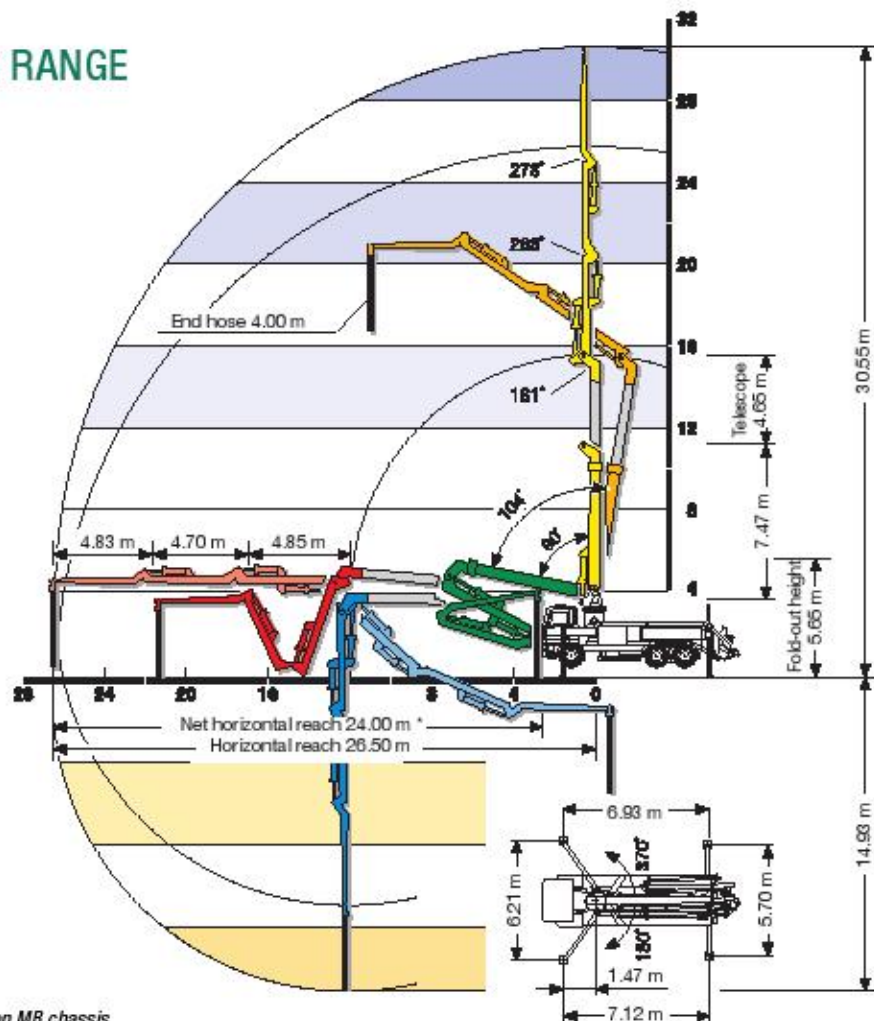
Pump battery P 2023-110 / 75

Hydraulic drive		380 l/min	535 l/min	636 l/min
Max. theor. output	m ³ /h	96	138	164
Max. number of strokes	min.	19	28	33
Max. concrete pressure	bar	85	85	85

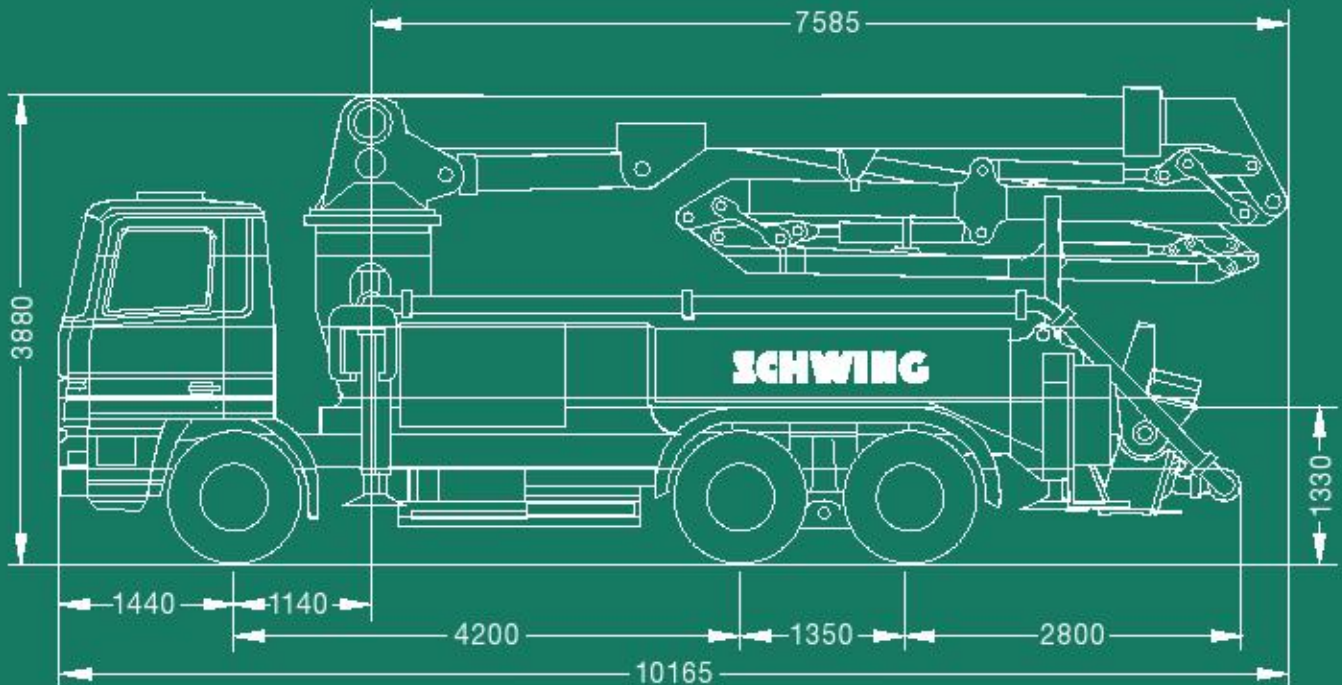
Placing boom		31 ZRT
Delivery line diameter		DN 125
Length of end hose	m	4,0
Vertical reach	m	30,5
Horizontal reach	m	26,5
Fold-out height	m	5,65
Slewing range		550°
Outrigger load, front	kN	200
Outrigger load, front	kN	160

WORKING RANGE

S 31 XT



* Built on MB chassis



SCHWING-STETTER MOVES CONCRETE. **WORLDWIDE.**

Wherever concrete is produced and moved is where you will find Schwing-Stetter machinery.

With plants in Germany, Austria, USA, Brazil, Russia, China and India as well as with more than 100 sales and service facilities, the group of companies is always close to the customer.

Our wide range of products with something for every application is what makes Schwing-Stetter the No. 1 system supplier for concrete machinery worldwide.



SCHWING GMBH
 P.O. Box 20 03 62 · D-44647 Herne / Germany
 Phone (0) 23 25 / 9 87-0 · Fax (0) 23 25 / 7 29 22
www.schwing.de · info@schwing.de

Subject to modifications in the
 interest of technical progress.
 The exact standard scope of