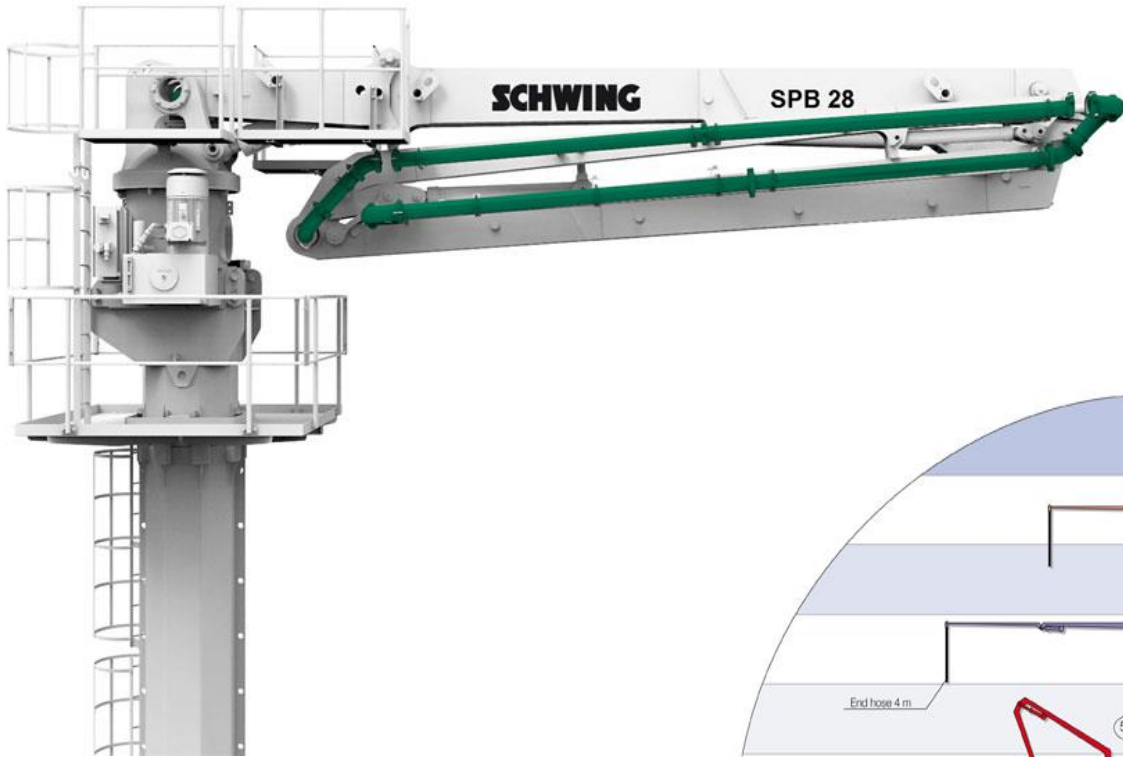


SEPARATE PLACING BOOM **SPB 28**



Technical Data

Horizontal reach	28 m
Number of arms	4
Pipeline dia.	DN 125
End hose	4 m
Weight	6.380 kg
Optional split boom	yes
Optional counterweight	6.000 kg
max. free-standing height on octo-column (w.o. c/wt)	20 m

