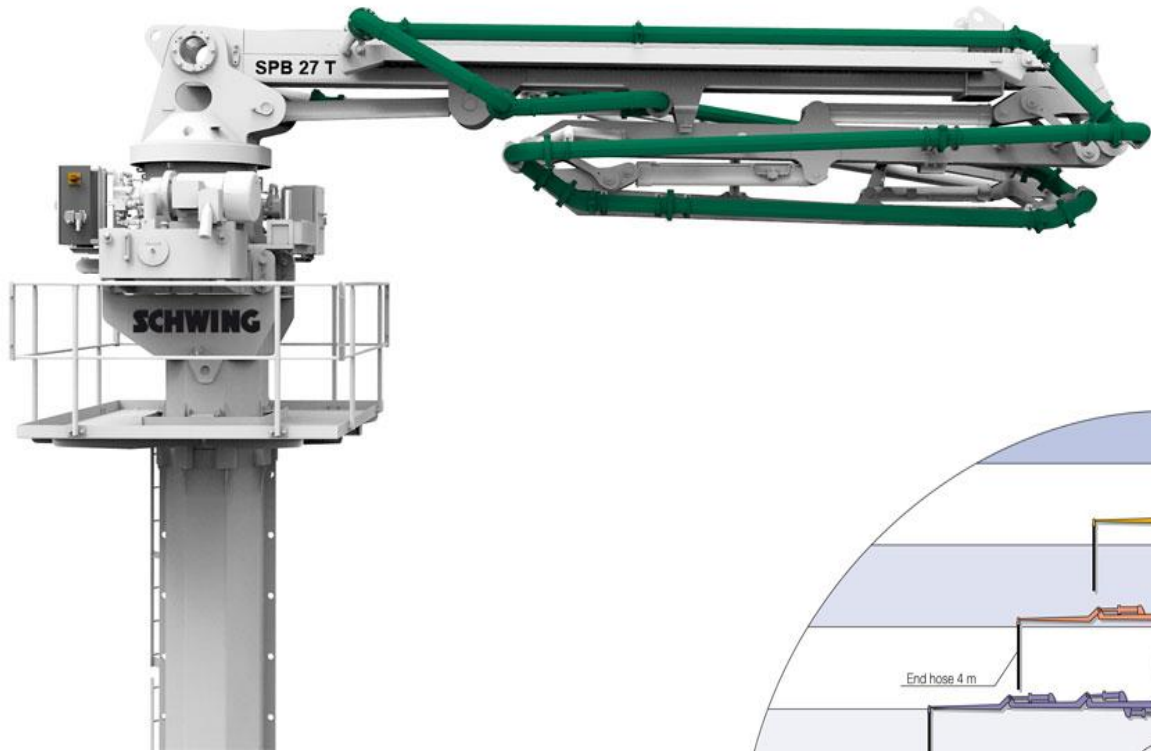


SEPARATE PLACING BOOM **SPB 27 T**



Technical Data

Horizontal reach	27 m
Number of arms	4
Pipeline dia.	DN 125
End hose	4 m
Weight	8.500 kg
Optional split boom	No
Optional counterweight	-
max. free-standing height	
on octo-column (w.o. c/wt)	18 m

