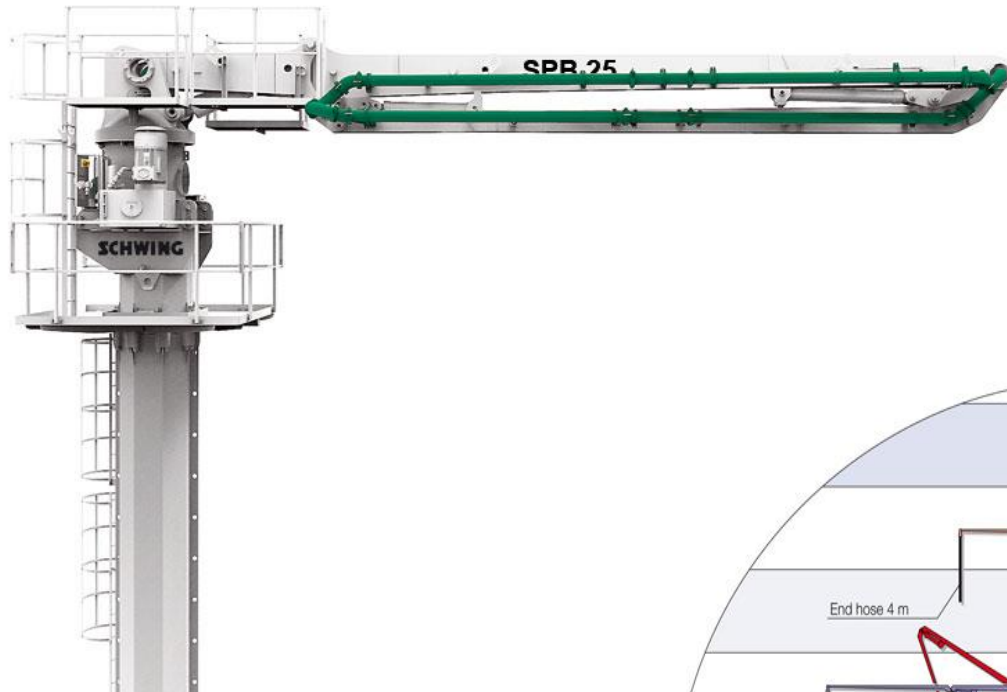


SEPARATE PLACING BOOM SPB 25



Technical Data

Horizontal reach	25 m
Number of arms	3
Pipeline dia.	DN 125
End hose	4 m
Weight	5.500 kg
Optional split boom	yes
Optional counterweight	6.000 kg
max. free-standing height	
on octo-column (w.o. c/wt)	20 m

