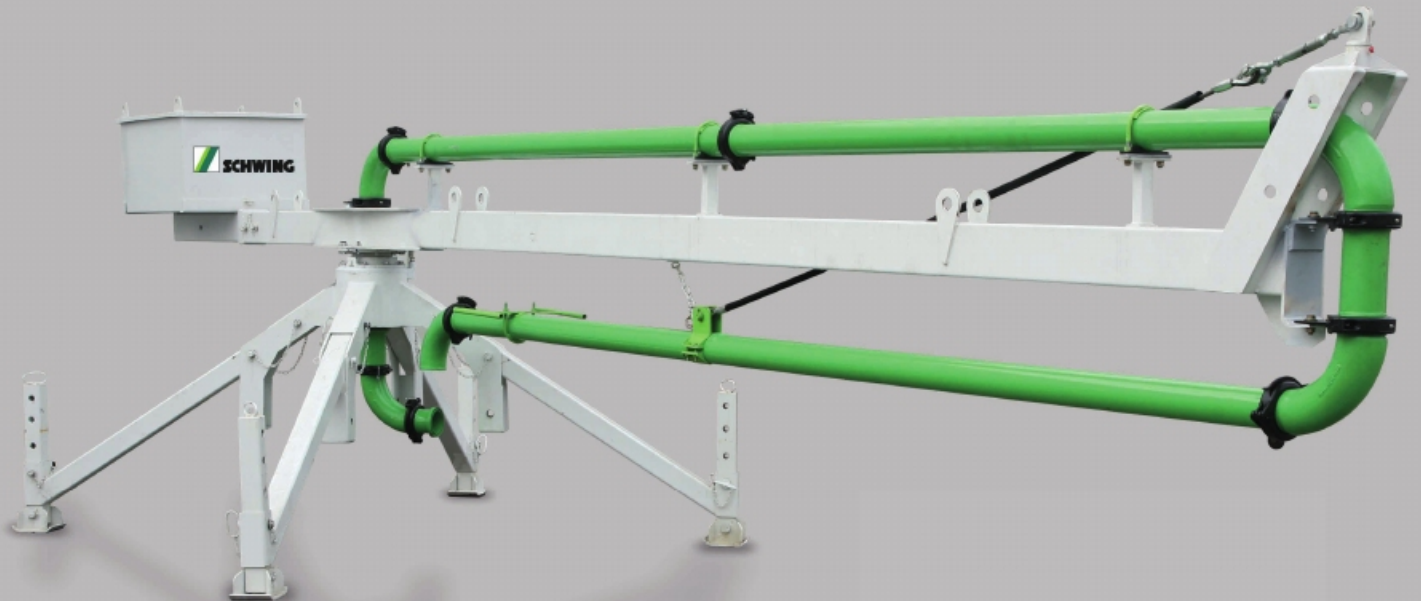


RVM 12

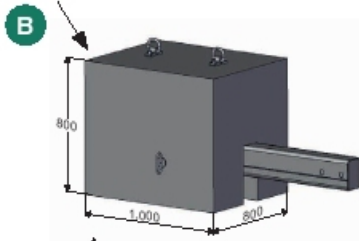
Manual placer



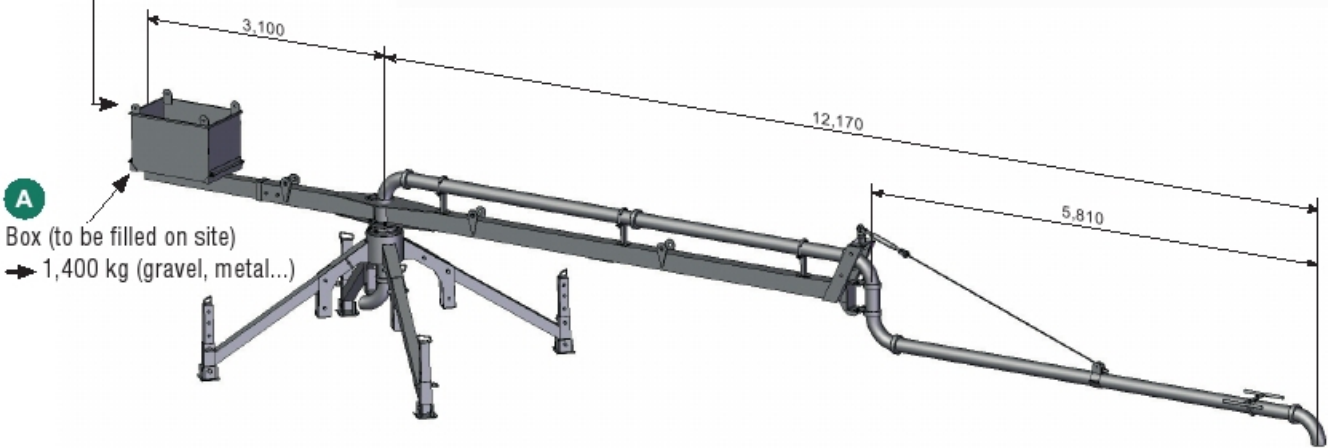
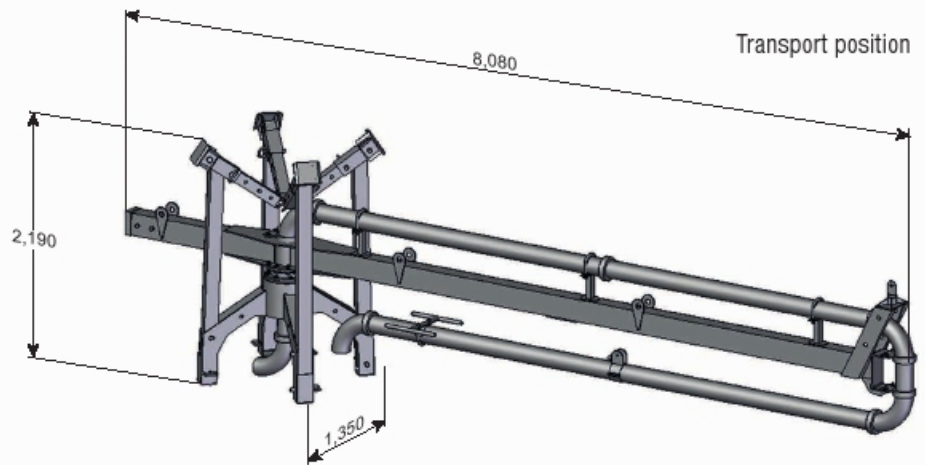
Reach	12.2 m
Footprint	3.13 x 3.13 m
Max. Foot load	12.6 kN
Height adjustment	0.43 m
Weight	1,350 kg



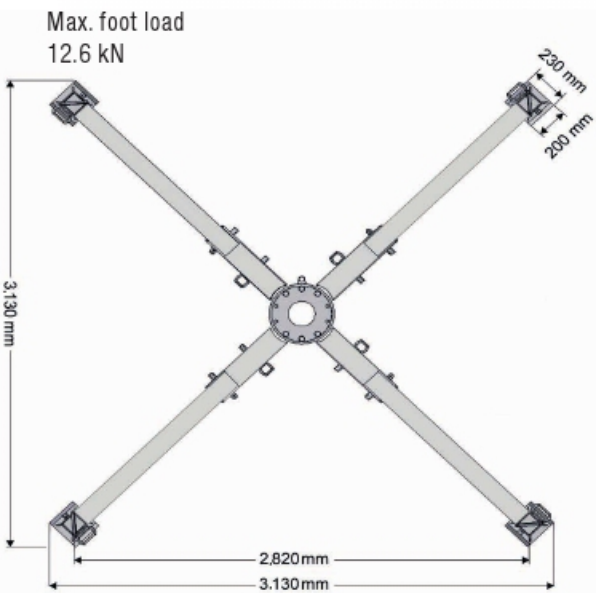
Counterweight 1,400 kg



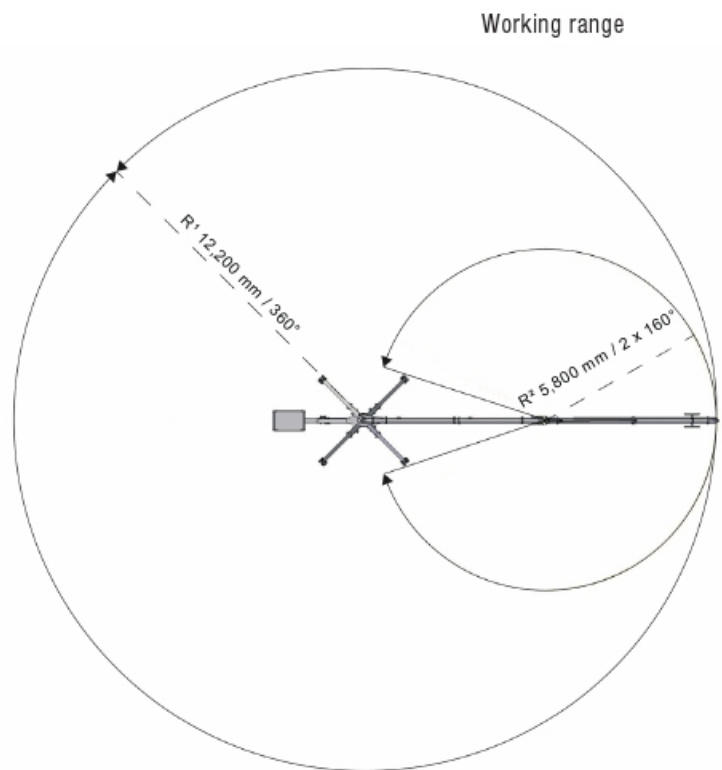
A or **B**
A Box (Standard)
B Counterweight (Optional)



A Box (to be filled on site)
 → 1,400 kg (gravel, metal...)



Footprint



Working range

Counterweight	1,400 kg
Transport dimensions	8,080 x 1,350 x 2,190 mm L x W x H
Max. Foot load	12.6 kN
Footprint	3,130 x 3,130 mm
Working range	R ¹ 12,200 mm / 360° R ² 5,800 mm / 2 x 160°

Subject to alterations. Illustrations only as artwork. Exact scope of supply as per quotation.



SCHWING GMBH
 Heerstraße 9-27 · 44653 Herne/Germany
 Fon 023 25 - 987-0 · Fax 023 25 - 72922
 www.schwing.de · info@schwing.de

Stetter GMBH
 Dr.-Karl-Lenz-Straße · 87700 Memmingen/Germany
 Fon 083 31 - 78-0 · Fax 083 31 - 78 275
 www.stetter.de · info@stetter.de

10311647.1000.10.2014.SK